



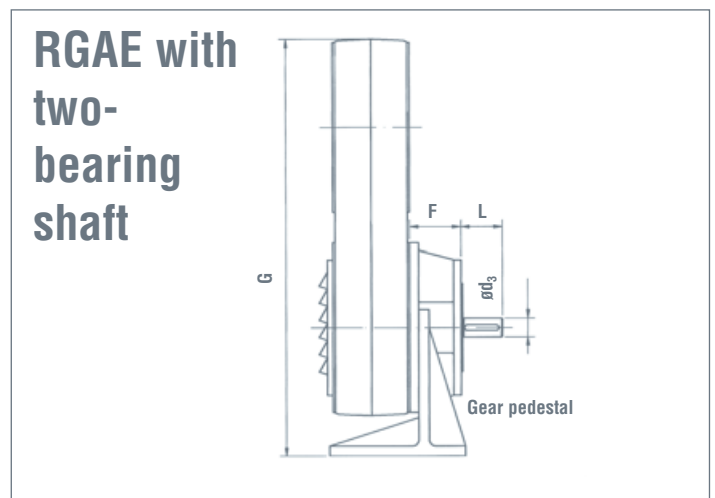
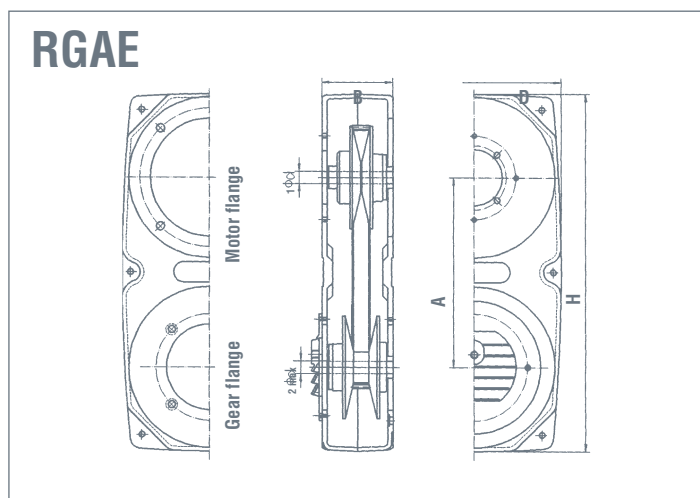
Assembly Units RGAE

## Assembly Units RGAE

Assembly units of the type RGAE – consisting of a housing, variable pulleys and wide V-belt – are designed for mounting on motors and reduction gearboxes and possess connection dimensions in accordance with IEC.

RGAE assembly units are additionally equipped with step or flange bearings and two-bearing shafts. They are suitable for use with any drive elements as well as for direct mounting of gearboxes with IEC connection.

These assembly units are available complete with adjustment controls, motors and reduction gearboxes if required.



RGAE:

Type	Regel.- Bereich $\varphi$	A mm	B mm	D mm	H mm	Motor size.	Power kW	$d_1$ mm	Gear flange mm	$d_{2max.}$ mm	F mm	G mm	L mm	$d_3$ mm	Wide V-belts mm
1-080	1:5,5	187	58	170	357	71 B5	0,37	14	120 <sup>1)</sup> /160 <sup>2)</sup>	14	57	392	30	14	17x5x578Lw
2-100 <sup>3)</sup>	1:5,5	246	88	220	460	90 B5	1,5	24	200/160	24	70	513	50	24	22x7x758Lw
2-130	1:7,0	246	88	220	460	90 B5	1,5	24	200/160	24	70	513	50	24	22x7x783Lw
3-190/1,5	1:10,5	295	110	270	555	90 B5	1,5	24	250/200	24	75	620	60	28	28x8x988Lw
3-150	1:6,5	295	110	270	555	100 B5	3,0	28	250/200	28	75	620	60	28	28x8x938Lw
3-190/3,0	1:9,0	295	110	270	555	100 B5	3,0	28	250/200	28	75	620	60	28	28x8x996Lw
3-196	1:8,0	295	110	270	555	112 B5	4,0	28	250/200	28	75	620	60	28	33x10x1020Lw
4-235	1:10,5	345	140	320	665	112 B5	4,0	28	300/250	32	104	740	80	38	37x10x1180Lw
4-210	1:7,5	345	140	320	665	132 B5	7,5	38	300/250	38	104	740	80	38	37x10x1167Lw
5-250	1:7,5	418	178	370	780	160 B5	11	42	350/300	42	125	869	110	42	47x12x1383Lw
5-280	1:8,5	418	178	370	780	160 B5	15	42	350/300	42	125	869	110	42	55x15x1475Lw
6-300	1:7,2	517	216	430	935	180 B5	18,5	48	400/350	48	187	1026	110	48	51x16x1695Lw
6-300	1:7,2	517	216	430	935	180 B5	22	48	400/350	48	187	1026	110	48	51x16x1695Lw
6-350	1:7,4	517	216	430	935	200 B5	30	55	400/350	55	187	1026	110	55	70x18x1778Lw
7-375	1:5,3	624	240	580	1200	225 B5	37	60	550/450	65	215	1332	140	60	83x23x2066Lw
7-375	1:5,3	624	240	580	1200	225 B5	45	60	550/450	65	215	1332	140	60	83x23x2066Lw
7-400	1:5,0	624	240	580	1200	250 B5	55	65	550/450	65	215	1332	140	65	83x23x2145Lw
8-450	1:4,4	720	317	686	1388	280 B5	75	75	660/550	80	285	1520	140	75	83x26x2488Lw
8-500	1:4,0	720	317	686	1388	280 B5	90	75	660/550	80	285	1520	140	75	83x26x2675Lw
8-500	1:4,0	720	317	686	1388	315 B5	110	80	660/550	80	285	1520	170	80	83x26x2675Lw
9-600	1:3,0	720	384	686	1388	315 B5	160	80 / 90	660/550	100	285	1520	170	80/90	87x28x2790Lw

<sup>1)</sup> RGAE only   <sup>2)</sup> RGAE with two-bearing shaft only   <sup>3)</sup> RGAE 2-100 also for motor 71 B5