

Asymmetrically variable speed pulleys

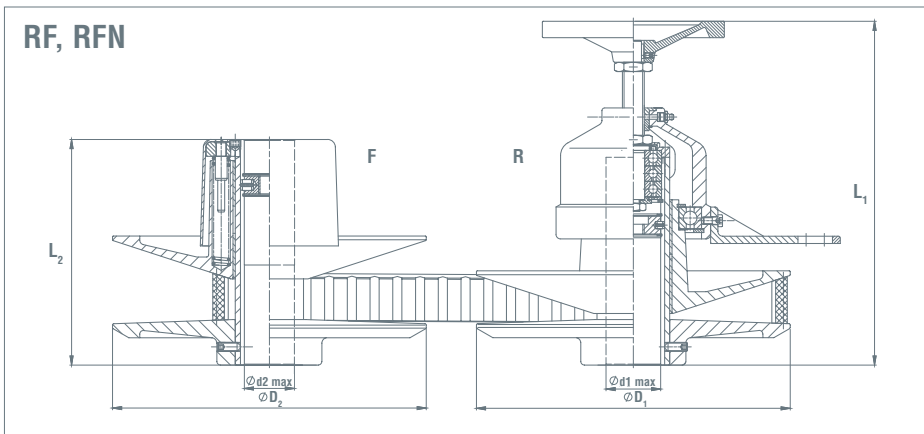
Double pulley drive RF, RFN

RF, RFN $P_{1 \max.} = 45 \text{ kW}$

Asymmetrical drive units RF, RFN for 0,37–45 kW motor ratings, comprising:

- mechanically adjustable regulating pulley R with integral central adjustment
 - a) spring-loaded regulating pulley F
 - b) type FN with increased diameter for lower output speeds

The axial pressure on the V-belts is exerted by compression springs with optimally dimensioned characteristics. This driving system is suitable for reversing operation.



Double pulley drive RF, RFN:

Type	Speed-range max.	Motor n_1 in 1/min	Motor $P_{1 \max}$ in kW	$n_{2 \max}$ 1/min	$n_{2 \min}$ 1/min	$P_{2 \max}$ kW	$P_{2 \min}$ kW	D1 mm	L1 mm	D2 mm	L2 mm	d1 max. mm	d2 max. mm	Wide V-belt mm
RF1	5,0	1470	1,1	3210	670	1,0	0,4	125	163	125	88	24	28	18
RFN12	4,0	1470	1,5	1980	500	1,4	0,4	125	163	175	103	24	25	18
RF2	7,7	1470	2,2	4100	530	2,0	0,6	175	206	175	103	28	25	27
RF2	5,0	1470	3,0	3220	670	2,7	0,9	175	206	175	103	28	25	27
RFN23	5,0	1470	4,0	2090	430	2,7	0,6	175	206	210	116	28	28	27
RFN23	2,0	1470	4,0	1470	800	3,6	1,4	175	206	210	116	28	28	27
RF3	8,0	1470	4,0	4080	520	3,6	1,3	210	230	210	120	38	28	30
RF3	6,0	1470	5,5	3600	590	5,0	1,7	210	230	210	120	38	28	30
RFN34	5,5	1470	5,5	2420	470	5,0	1,4	210	230	245	143	38	38	30
RF4	8,0	1470	7,5	4080	520	6,8	1,9	245	280	245	150	42	38	36
RF4	5,0	1470	11,0	3220	660	9,9	2,8	245	280	245	150	42	38	36
RFN45	6,0	1470	11,0	2610	450	9,9	2,8	245	280	285	165	42	45	36
RF5	8,0	1470	11,0	4080	520	9,9	3,2	285	314	285	177	48	45	42
RF5	5,0	1470	15,0	3240	650	13,5	4,7	285	314	285	177	48	45	42
RFN56	5,4	1470	18,5	2380	445	16,7	3,7	285	314	345	222	48	60	42
RF6	8,0	1470	22,0	4100	520	20,0	6,2	345	379	345	248	60	60	52
RF6	4,0	1470	30,0	2880	740	27,0	12,7	345	379	345	248	60	60	52
RFN67	5,5	1470	30,0	2350	430	27,0	7,0	345	379	415	241	60	60	52
RFN67	5,0	1470	37,0	2250	460	33,5	8,3	345	379	415	241	60	60	52
RF7	6,0	1470	37,0	3540	600	33,5	16,0	415	395	415	248	65	60	57
RF7	5,0	1470	45,0	3240	650	40,5	19,2	415	395	415	248	65	60	57