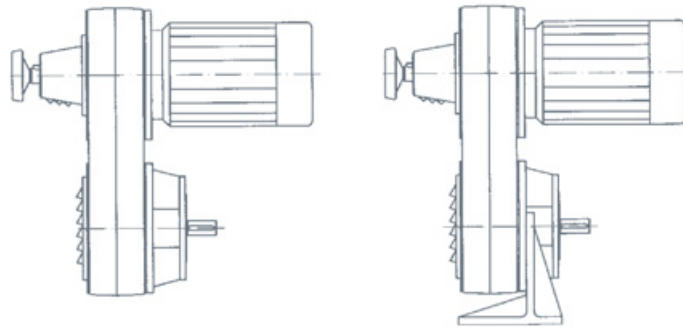


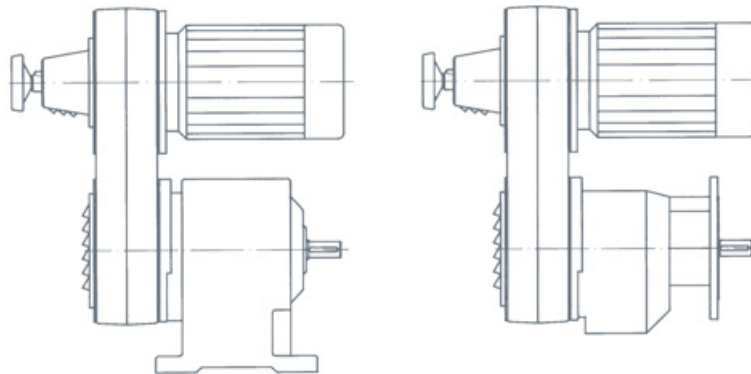
Variable drive motors

**Basic components with possibilities of systematic extension.**

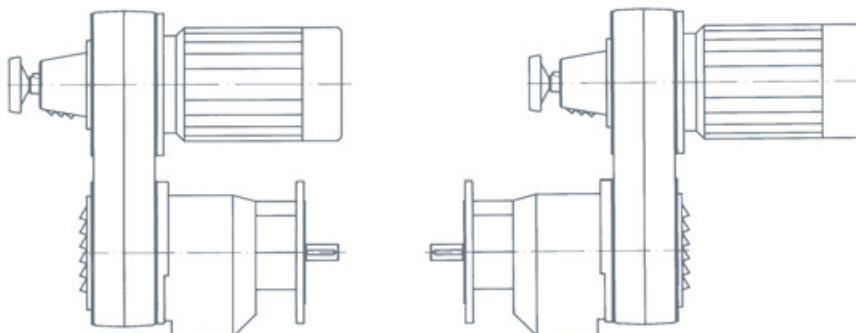
**Assembly unit in pedestal or flange-type design**



**Gear unit in pedestal or flange-type design**



**U-form / Z-form**





Variable drive motors

**Basic components with possibilities of systematic extension.**

**Various gear units**

