



Assembly Units RGAE

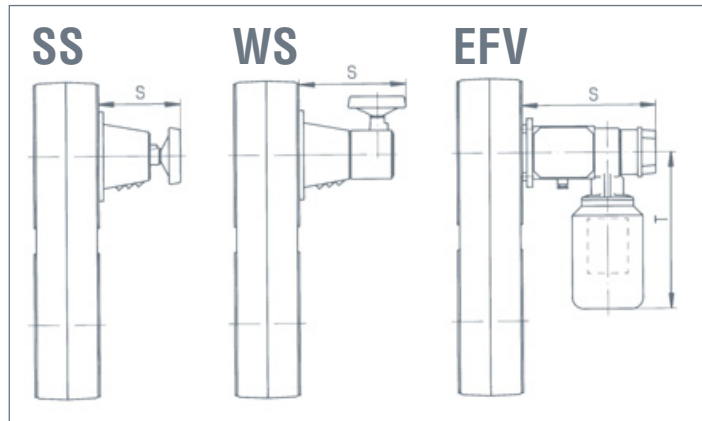
Speed adjustment controls for RGAE

SS + WS + EFV

The control devices SS and WS are also available with a scale handwheel, if required.

The compact electric remote control EFV is additionally available with slip clutch and/or potentiometer for analog indication. In contrast to the otherwise normal chain wheel arrangement, there are no bending moments thanks to direct linear stroke adjustment. Speed indicators (analogous or digital) and tachometers available on request.

EFV can also be used in conjunction with BERGES double pulley drives.



WS:

RGAE	Adjustment control	S
RGAE 2-100	WS 2	96
RGAE 2-130	WS 2	96
RGAE 3-150	WS 3	112
RGAE 3-190	WS 3	112
RGAE 3-196	WS 3	112
RGAE 4-210	WS 4	112
RGAE 4-235	WS 4	112
RGAE 5-250	WS 5	144
RGAE 5-280	WS 5	144
RGAE 6-300	WS 6	173
RGAE 6-350	WS 6	173
RGAE 7-375	WS 375	360
RGAE 7-400	WS 400	350
RGAE 8-450	WS 450-500	403
RGAE 8-500	WS 450-500	403

SS:

RGAE	Adjustment control	S
RGAE 1-080	SS 1	100
RGAE 2-100	SS 2	139
RGAE 2-130	SS 2	139
RGAE 3-150	SS 3/4	162
RGAE 3-190	SS 3/4	162
RGAE 3-196	SS 3/4	162
RGAE 4-210	SS 3/4	162
RGAE 4-235	SS 3/4	162
RGAE 5-250	SS 5/6	187
RGAE 5-280	SS 5/6	187
RGAE 6-300	SS 5/6	187
RGAE 6-350	SS 5/6	187
RGAE 7-375	SS 375	255
RGAE 7-400	SS 400	245
RGAE 8-450	SS 450-500	304
RGAE 8-500	SS 450-500	304

EV/EFV:

RGAE	Adjustment control	S	T
RGAE 2-100	EV 2	162	255
RGAE 2-130	EV 2	162	255
RGAE 3-150	EV 3/4	175	255
RGAE 3-190	EV 3/4	175	255
RGAE 3-196	EV 3/4	175	255
RGAE 4-210	EV 3/4	175	255
RGAE 4-235	EV 3/4	175	255
RGAE 5-250	EV 5/6	218	255
RGAE 5-280	EV 5/6	218	255
RGAE 6-300	EV 5/6	218	255
RGAE 6-350	EV 5/6	218	255
RGAE 7-375	EFV 2/2	277	268
RGAE 7-400	EFV 2/2	267	268
RGAE 8-450	EFV 2/2	267	268
RGAE 8-500	EFV 2/2	267	268
RGAE 9-600	*	*	*

* Please enquire