



Variable speed V-belt pulleys

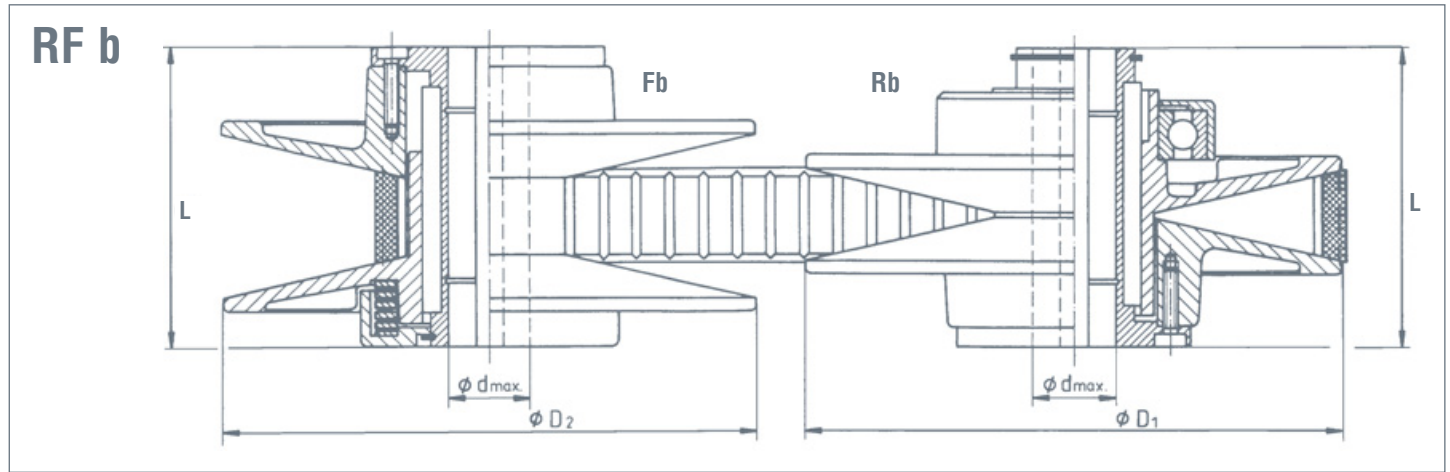
Double pulley drive for wide V-belts

RF b $P_{1 \text{ max.}} = 160 \text{ kW}$

A mechanical variable pulley Rb. mounted on the driving shaft (motor shaft) and a spring-loaded variable pulley Fb, mounted on the driven shaft* form a variable pulley set with constant center distance RF b. Also suitable for reversing operation.

Optimum pressure spring characteristics in the spring-loaded variable pulley guarantee a favourable power ratio over the whole speed range.

* Reverse arrangement possible on request



RF b:

Type	Speed range	Motor	kW	n max.	n min.	P max.	P min.	D ₁	L	D ₂	d _{max.}	Wide V-belt
RF 080 b	1: 5,5	1370	0,37	3210	585	0,33	0,17	91,4	50	91,4	14	17 x 5
RF 100 b	1: 5,5	1390	1,5	3260	595	1,35	0,55	120	72	120	24	22 x 7
RF 130 b	1: 7,0	1390	1,5	3680	526	1,35	0,53	135	72	135	24	22 x 7
RF 190 b	1:10,5	1390	1,5	4500	430	1,35	0,75	190	90	190	25	28 x 8
RF 150 b	1: 6,5	1410	3,0	3595	555	2,7	0,9	159	90	159	28	28 x 8
RF 190 b	1: 9,0	1410	3,0	4230	470	2,7	0,8	190	90	190	28	28 x 8
RF 196 b	1: 8,0	1430	4,0	4040	505	3,6	1,2	198	110	198	28	33 x 10
RF 235 b	1:10,5	1430	4,0	4630	445	3,6	1,6	236	122	236	32	37 x 10
RF 210 b	1: 7,5	1450	7,5	3970	530	6,7	1,9	220	122	220	38	37 x 10
RF 250 b	1: 7,5	1450	11,0	3970	530	9,9	2,7	255	145	255	42	47 x 12
RF 280 b	1: 8,5	1455	15,0	4240	500	13,5	4,1	296	162	296	42	55 x 15
RF 300 b	1: 7,2	1460	22,0	3920	545	19,8	6,3	305	185	305	48	51 x 16
RF 350 b	1: 7,4	1465	30,0	4000	540	27,0	9,6	346	195	346	55	70 x 18
RF 375 b	1: 5,3	1475	45,0	2760	520	40,5	16,0	346	220	390	60/65*	83 x 23
RF 400 b	1: 5,0	1475	55,0	2575	515	49,5	16,8	372	220	420	65	83 x 23
RF 450 b	1: 4,4	1480	75,0	2800	630	67,5	21,2	450	280	470	80	83 x 26
RF 500 b	1: 4,0	1480	110,0	1994	503	99,0	36,5	470	280	580	80	83 x 26
RF 600 b	1: 3,0	1480	160,0	1965	655	145,0	75,0	506	360	596	100	87 x 28

*F375b