



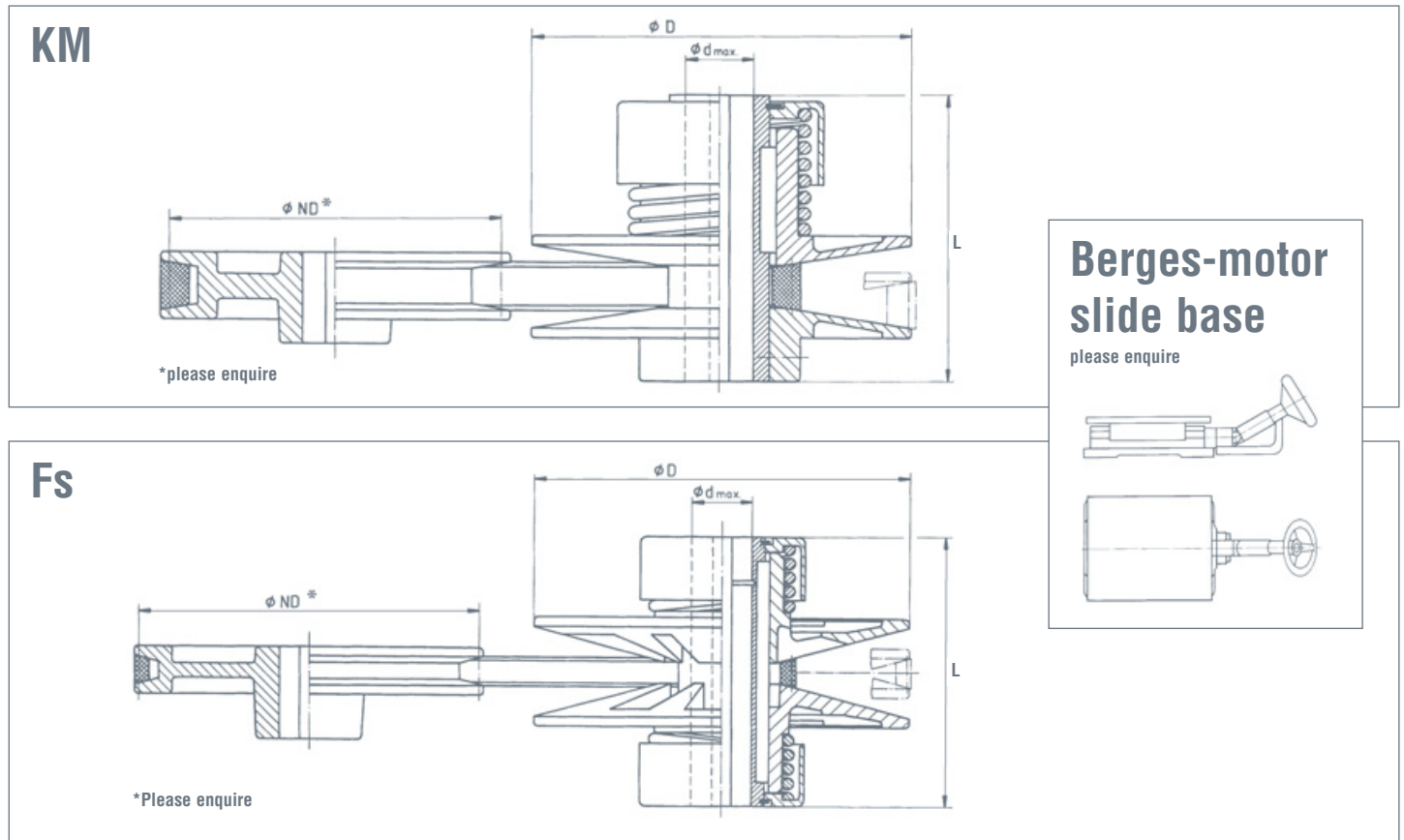
Variable speed V-belt pulleys

Single pulley drive for standard V-belts

KM + Fs $P_{1 \text{ max.}} = 5,5 \text{ kW}$

A fixed driven pulley is required in each case for use with these single pulley drives for standard V-belts.

The spring-loaded variable pulley can be opened either on one side (KM) as a smooth pulley or on both sides (Fs) as an interlacing type pulley. The spring loaded pulley is mounted on the drive shaft as standard. Reverse arrangement possible on request.



KM:

Type	Speed range	Motor	kW	P max.	P min.	D ₁	L	d _{max.}	Standard V-belt
KM 80.10	1:2,4	1350	0,18	0,16	0,07	80	65	14	10 x 6
KM 105.13	1:2,4	1380	0,55	0,50	0,22	105	80	20	13 x 8
KM 127.17	1:2,4	1380	0,75	0,67	0,28	127	80	25	17 x 11

Fs:

Type	Speed range	Motor	kW	P max.	P min.	D ₁	L	d _{max.}	Standard V-belt
F 100 s	1:2,2	1370	0,37	0,33	0,17	110	80	24	10 x 6
F 150 s	1:2,5	1410	1,1	0,7	0,4	158	115	28	13 x 8
F 210 s	1:2,8	1420	2,2	2,0	1,0	220	148	38	17 x 11
F 280 s	1:2,9	1450	5,5	5,0	2,0	292	190	42	22 x 14