



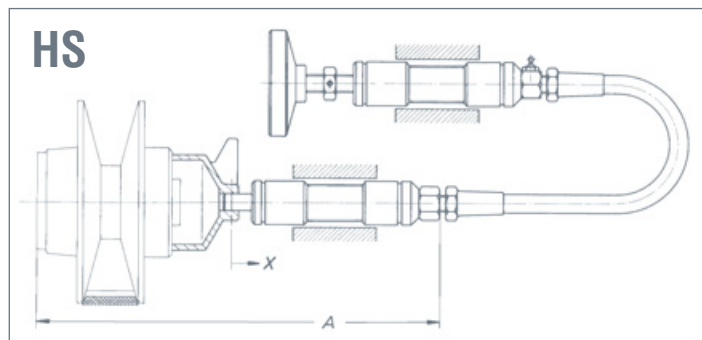
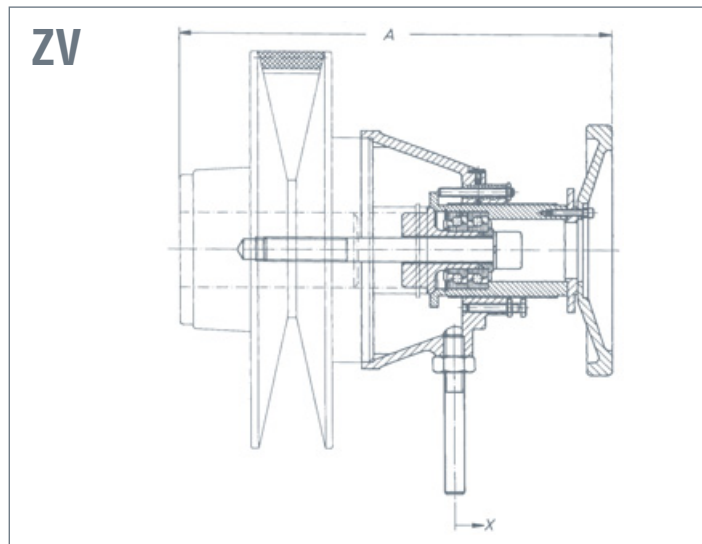
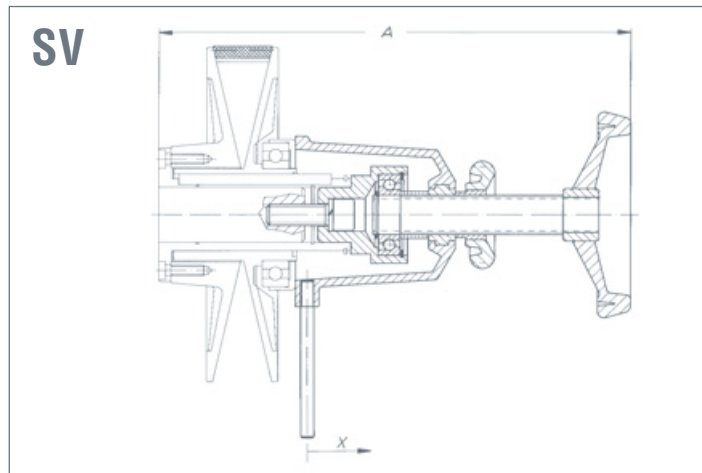
Variable speed V-belt pulleys

## Speed adjustment controls for double pulley drives

SV · ZV · HS

The variable pulley and control device are mounted together centrally on the drive shaft.  
This arrangement has the advantage that there are no additional axial loads on the motor shaft bearing.

The handwheels are optionally also available as scale wheels.



SV:

Size	Type	Adjustment stroke		A
		x <sub>1</sub>	x <sub>2</sub>	
105.13	SV1	–	10,2	236
100 (b)	SV1	15,9	16,1	228
130 b	SV1	17,9	–	228
127.17	SV2	–	13,4	262
150 (b)	SV2	21,9	24,7	272
190 b	SV2	24,1	–	272
196 b	SV2	27,0	–	292
210 (b)	SV2	30,6	37,5	304
235 b	SV2	31,5	–	304
250 b	SV3	36,9	–	356
280 (b)	SV3	44,0	51,5	373
300 b	SV3	40,4	–	396
350 b	SV3	51,7	–	406

ZV:

Size	Type	Adjustment stroke		A
		x <sub>1</sub>	x <sub>2</sub>	
375 b	ZV 375	48,2	–	386
400 b	ZV 400	49,8	–	368
450 b	ZV 450/500	56,8	–	464
500 b	ZV 450/500	58,3	–	464
600 b	ZV 600	61,3	–	610

HS:

Size	Type	Adjustment stroke		A
		x <sub>1</sub>	x <sub>2</sub>	
100 b	HS 100-130	15,9	16,1	263
130 b	HS 100-130	17,9	–	263
150 (b)	HS 150-196	21,9	24,7	298
190 b	HS 150-196	24,1	–	298
196 b	HS 150-196	27,0	–	310
210 (b)	HS 210-235	30,6	37,5	332
235 b	HS 210-235	31,5	–	332
250 b	HS 250-280	36,9	–	360
280 (b)	HS 250-280	44,0	51,5	387

x<sub>1</sub> = Adjustment for wide V-belt  
x<sub>2</sub> = Adjustment for standard V-belt